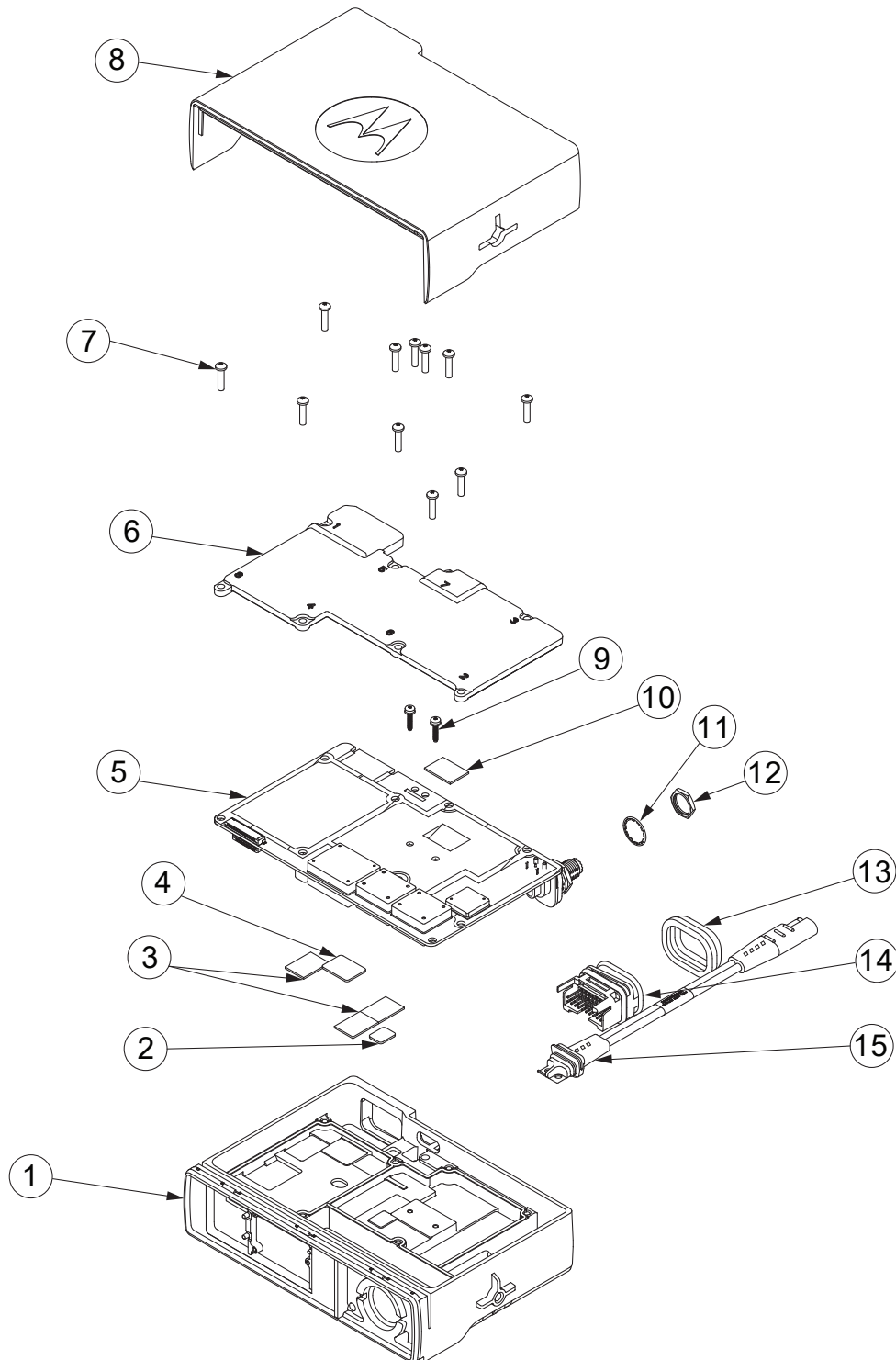


Motorola DM1400 - Exploded Diagram



Issue Date: 26/07/21

Motorola Solutions follows a policy of continual product improvement. For this reason, the exploded diagrams and parts listed might not be compatible with future revisions of this product and these changes could occur without notice.

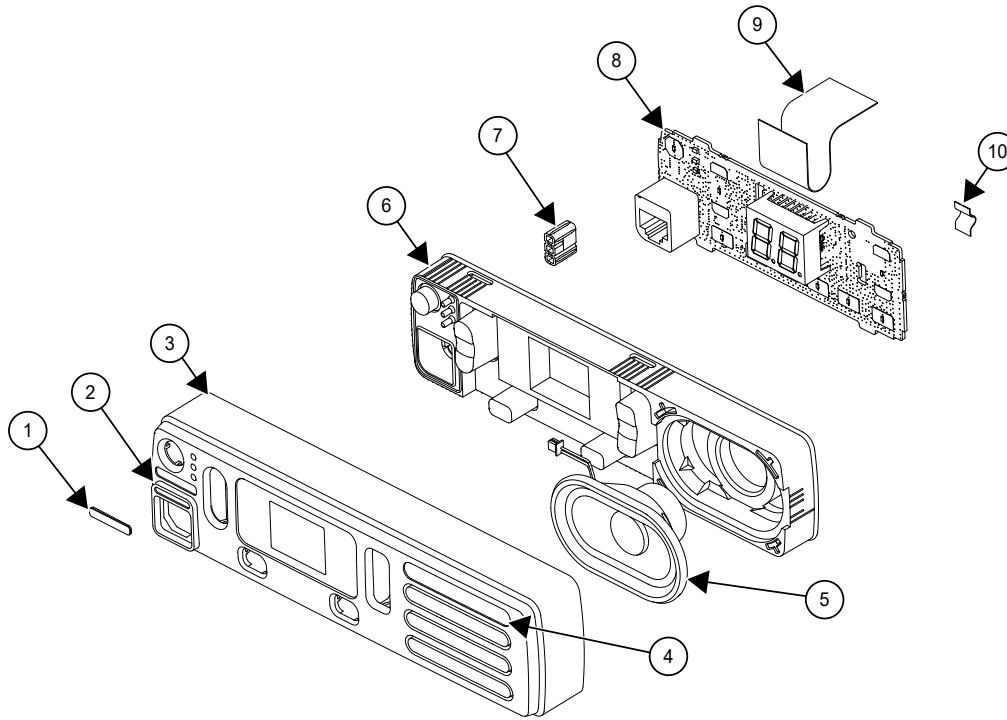
Motorola DM1400 - Parts List

Item	Description	Part Number
1	Chassis, Die Cast	0104056J09
2	Thermal Pad, Final Driver	75012058002
3	Thermal Pad, Regulator	75012018001
4	Thermal Pad, Audio PA	75012059001
5	PCB, Transceiver	See Model Chart to identify proper board
6	Main Shield, Die Cast	26012273001
7	Screw - M3x0.5x13 mm	0310943J12
8	8 Main Cover and Gasket Assembly	15012229001
9	Screw - M2.5x0.45x12 mm with Washer	03012037002
10	Thermal Pad, PA Output Match VHF 25- 45W, VHF 1-25W, UHF1 25-40W	75012018001
	UHF1 1-25W	NOT PLACED
11	Lock Washer, RF Connector	04012004001
12	Nut, RF Connector	02012015001
13	Accessory Connector Cover	3202607Y01
14	Accessory Connector	28012058001
15	DC Cable Assembly	28012059001

Issue Date: 26/07/21

Motorola Solutions follows a policy of continual product improvement. For this reason, the exploded diagrams and parts listed might not be compatible with future revisions of this product and these changes could occur without notice.

Numeric Display Control Head Exploded Views and Parts Lists



Item No.	Description	Part No.
1	Nameplate	33012051002 (DDM1600)
2	Label, Accessory Indicator	54012312001
3	Housing Front Assembly, Numeric Control Head	0104056J27
4	Nameplate, Motorola Logo	33012052001
5	Speaker	5015935H02
6	Keypad, Numeric Control Head	75012195001
7	Light Guide Holder	07012052001
8	PCB Assembly	0104054J37
9	Cable Flex, Control Head	30012065001
10	Speaker Tape	11012133001

Issue Date: 26/07/21

Motorola Solutions follows a policy of continual product improvement. For this reason, the exploded diagrams and parts listed might not be compatible with future revisions of this product and these changes could occur without notice.

RADIOTRADE

Motorola DM1400

Exploded Diagrams & Parts Lists

RadioTrade Ltd
Unit 5, The Ringway Centre
Edison Road, Basingstoke
RG21 6YH, UK
T: 01256 40 60 50
E: sales@radiotrade.co.uk
www.radiotrade.co.uk

Torque Chart

The following table lists the various nuts and screws by part number and description, followed by the torque values in different units of measure. Torque all screws to the recommended value when assembling the radio.

Part Number	Description	Driver/Socket	Torque		
			N-m	lbs-in	kg-cm
02012015001	Nut, RF Connector	9/16" deep socket driver	2.15	19	21.9
03012037002	Screw, M2.5 x 0.45 x 2 mm, Pan Head	T8 Torx™	0.45	4	4.6
0310943J12	Screw, M3 x 0.5 x 13 mm, Pan Head	T10 Torx™	1.5	13	15

Issue Date: 26/07/21

Motorola Solutions follows a policy of continual product improvement. For this reason, the exploded diagrams and parts listed might not be compatible with future revisions of this product and these changes could occur without notice.